

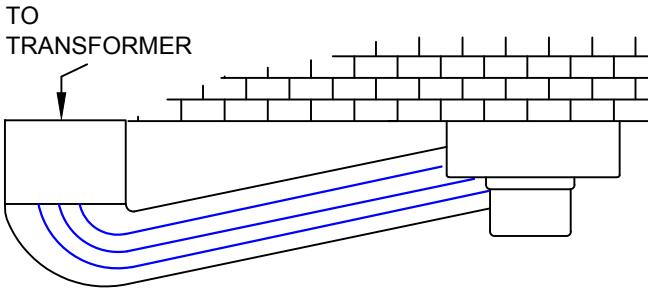
OSHAWA PUC NETWORKS INC. DISTRIBUTION STANDARDS

12-009

RESIDENTIAL & SMALL COMMERCIAL 400A UNDERGROUND ELECTRICAL
SERVICE & METER SOCKET
SINGLE PHASE, 3 WIRE 120/240V

OPUCN APPROVED METER SOCKET TYPES

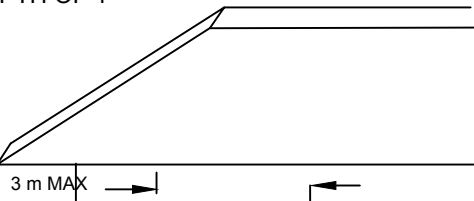
	MANUFACTURER		
	MICROELECTRIC	HYDEL	CUTLER-HAMMER
400A Service	*JS4B-300/5	CT4-3	*TCC 5-3
* Without automatic by-pass			



TRENCH TO A DEPTH OF 1 METER

MIN OF 1 m UNOBSTRUCTED CLEARANCE FROM METER INSTALLATION. NO FENCES, SHRUBS, TREES OR OTHER OBSTRUCTIONS THAT WILL LIMIT ACCESS TO METER SHALL BE PERMITTED

1.75 m



3 m MAX

400A 5 JAW METER SOCKET ENCLOSURE COMPLETE WITH 300A 3 WIRE CURRENT TRANSFORMER

TO CUSTOMER MAIN DISCONNECT

NO LBS

CLIP

FINAL GRADE

50 mm dia CONDUIT FOR 1/0 AL
75mm dia CONDUIT FOR 250 MCM AL

BUSHING

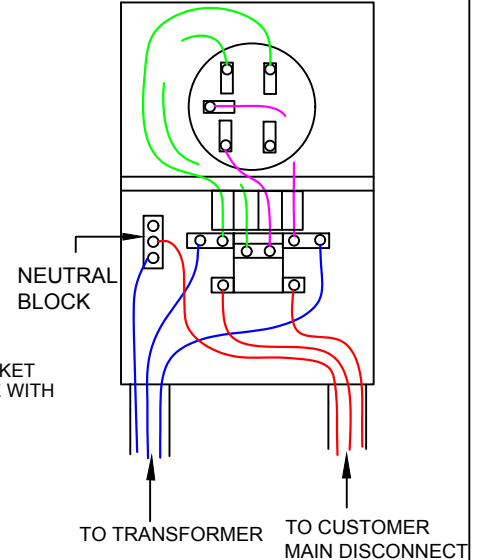
FROST LOOP ONE COIL BEFORE EXTENSION

0.3 m

0.6 m

NOTES:

1. TOLERANCE ON DIMENSIONS +/- 10%.
2. THE METER SOCKET MUST BE MOUNTED ON AN OUTSIDE WALL AT A LOCATION APPROVED BY OPUCN METER DEPARTMENT TO CO-ORDINATE WITH DISTRIBUTION ON THE STREET.
3. ELECTRICAL SERVICE SHALL MEET ALL ESA INSPECTION STANDARDS AND SHALL BE INSPECTED BY ESA BEFORE CONNECTION TO THE DISTRIBUTION SYSTEM.
4. REFER TO "OPUCN APPROVED METER SOCKET TYPES" FOR SOCKET REQUIREMENTS.
5. MINIMUM 1 m CLEARANCE IS REQUIRED BETWEEN THE GAS METER/RELIEF VENT AND THE ELECTRIC METER SOCKET.
6. NO LB, LC, LR ON LINE SIDE

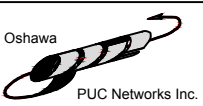


NEUTRAL BLOCK

TO TRANSFORMER

TO CUSTOMER MAIN DISCONNECT

CONVERSION TABLE	
METRIC	IMPERIAL (APPROX.)
0.3 m	1'-0"
1 m	3'-3"
1.75 m	5'-8"
3 m	10'-0"



DRAWN: KAB CKD: APP: DATE: MAY 10, 2017 SCALE: NTS REV: 1