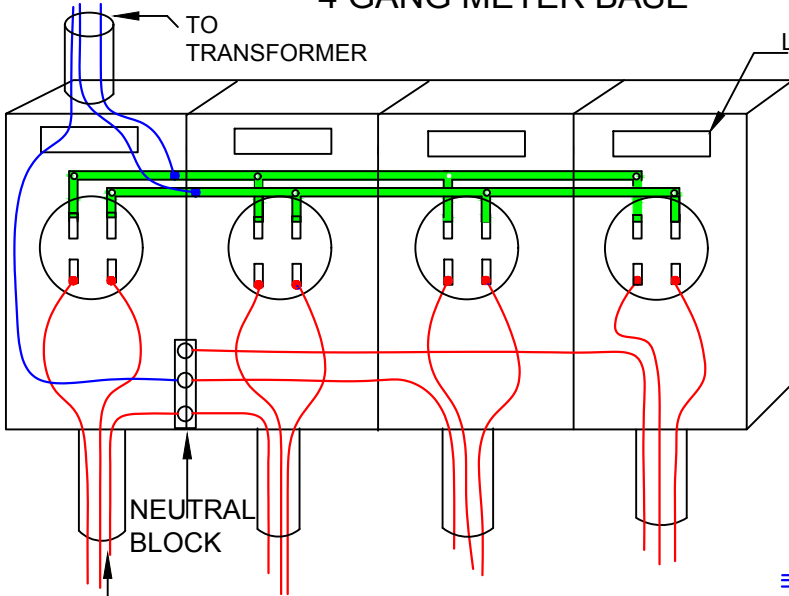


OSHAWA PUC NETWORKS INC. DISTRIBUTION STANDARDS

RESIDENTIAL OVERHEAD MULTIPLE ELECTRICAL SERVICES &
METER SOCKETS
SINGLE PHASE, 3 WIRE 120/240V

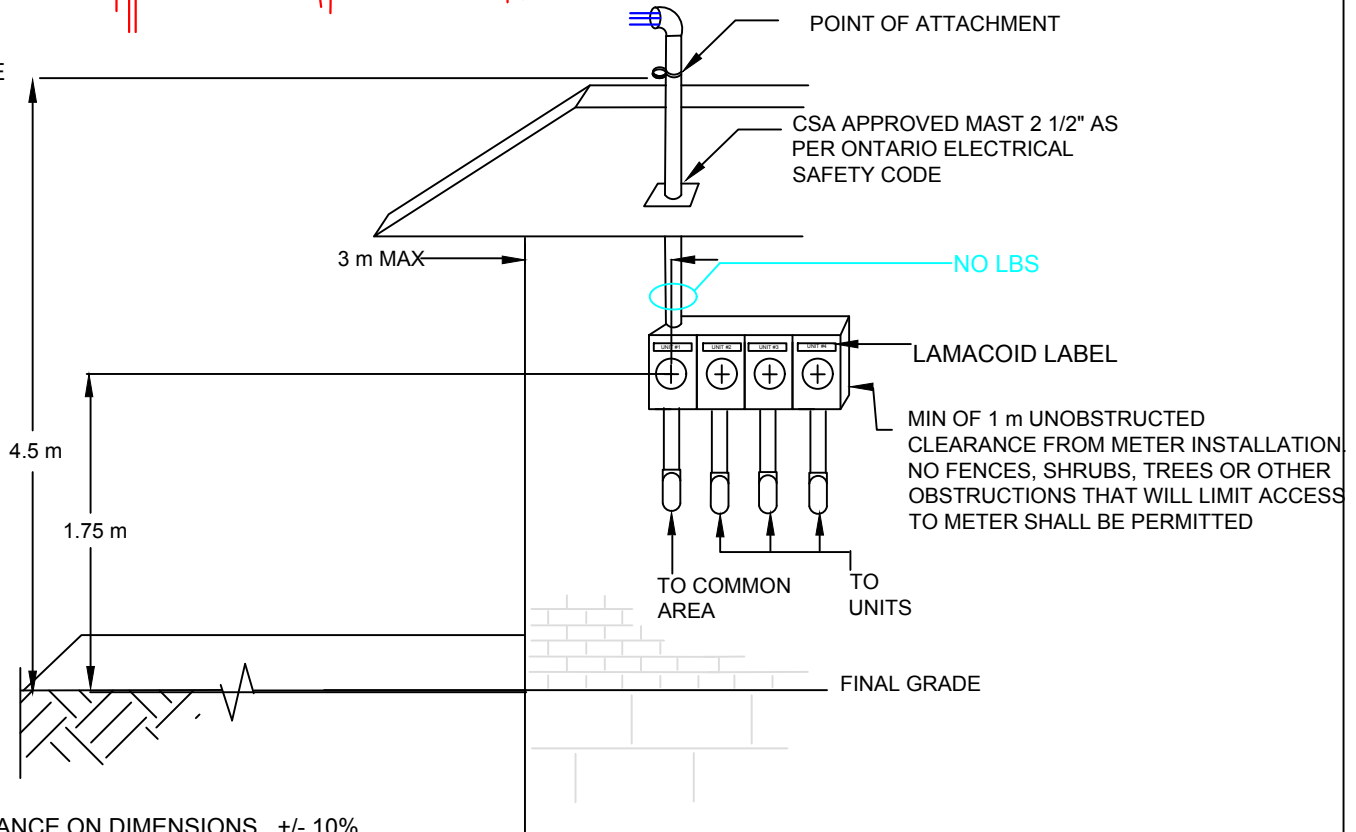
12-007

4 GANG METER BASE



NUMBER OF METERS	METER BASES		
	MANUFACTURER		
2	BD2-V/BD2-VH	H22R	2K2
3	BD3-V/BD3-VH	H23R	3K2
4	BD4-V/BD4-VH	H24R	4K2

TO HOUSE SERVICE



NOTES:

1. TOLERANCE ON DIMENSIONS +/- 10%.
2. THE METER SOCKET MUST BE MOUNTED ON AN OUTSIDE WALL AT A LOCATION APPROVED BY OPUCN METER DEPARTMENT TO CO-ORDINATE WITH DISTRIBUTION ON THE STREET.
3. ELECTRICAL SERVICE SHALL MEET ALL ESA INSPECTION STANDARDS AND SHALL BE INSPECTED BY ESA BEFORE CONNECTION TO THE DISTRIBUTION SYSTEM.
4. MAXIMUM NUMBER OF SERVICES TO BE 3 PLUS 1 HOUSE SERVICE
5. REFER TO "OPUCN APPROVED METER SOCKET TYPES" FOR SOCKET REQUIREMENTS.
6. MINIMUM 1 m CLEARANCE IS REQUIRED BETWEEN THE GAS METER/RELIEF VENT AND THE ELECTRIC METER SOCKET.
7. EACH METER SOCKET POSITION REQUIRES PERMANENT AND LEGIBLE LAMACOID LABEL UNIT IDENTIFICATION.

CONVERSION TABLE	
METRIC	IMPERIAL (APPROX.)
1 m	3'-3"
1.75 m	5'-8"
3 m	10'-0"
4.5 m	15'-0"



DRAWN: KAB	CKD:	APP:
DATE: MAY 10, 2017	SCALE: NTS	REV: 1